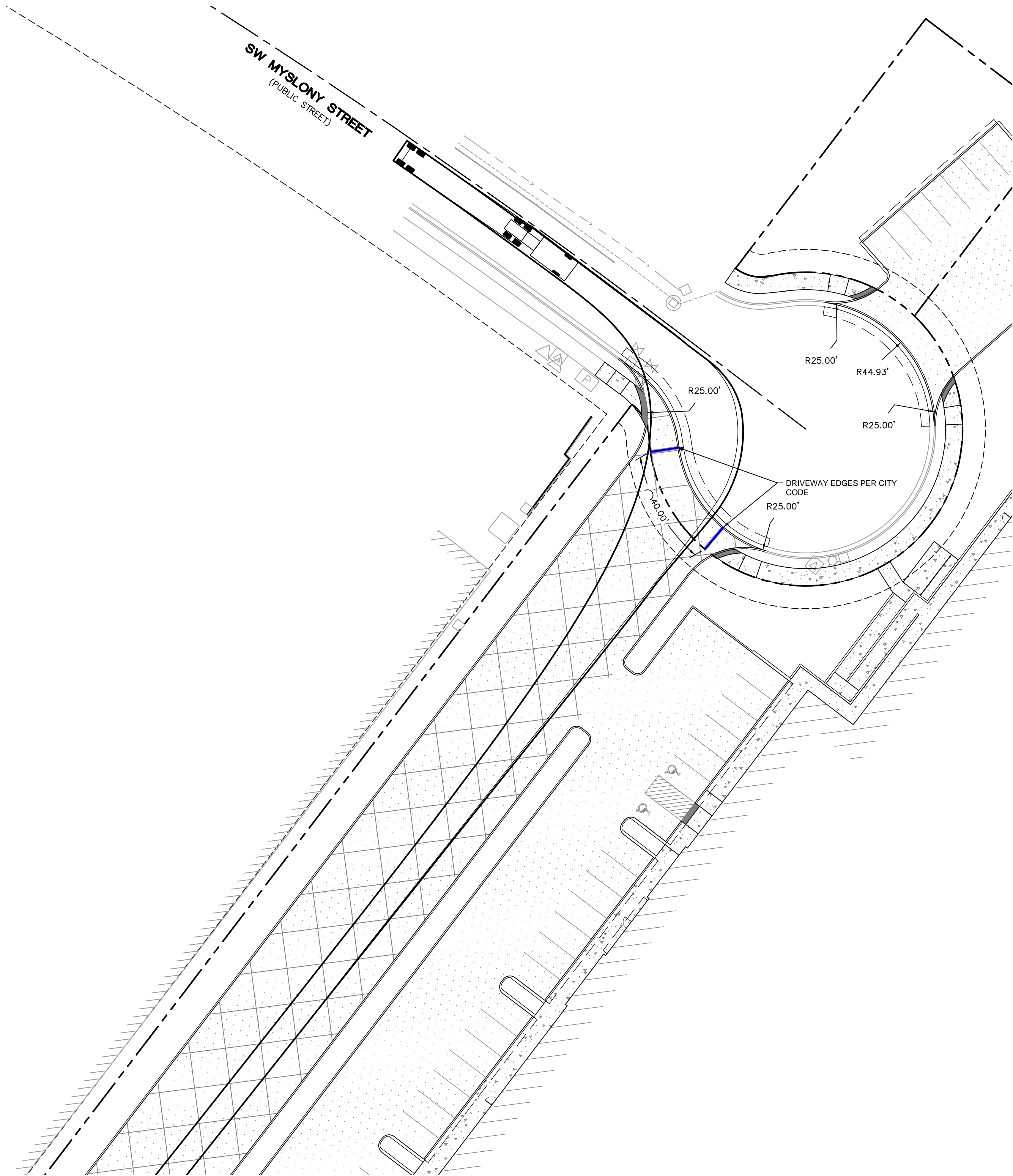
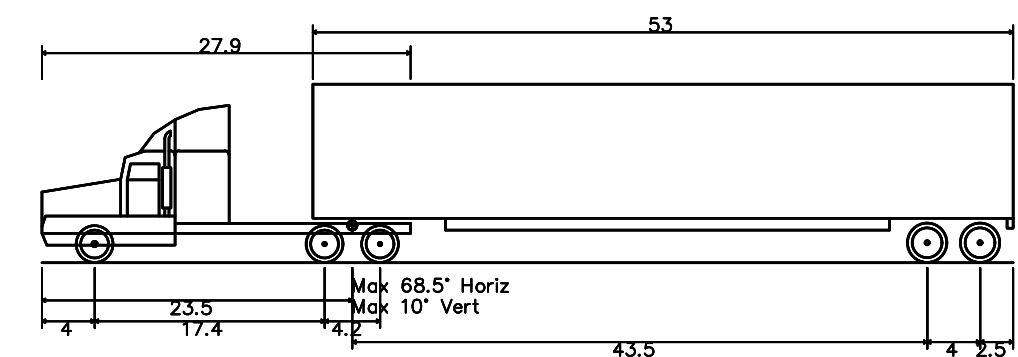


EXHIBIT 1: PREFERRED TURNING MOVEMENT

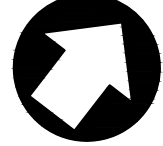


Design Vehicle



WB-67 - Interstate Semi-Trailer
 Overall Length 73.50ft
 Overall Width 8.50ft
 Overall Body Height 13.50ft
 Min. Body Ground Clearance 1.334ft
 Max Track Width 8.50ft
 Lock-to-lock time 6.00s
 Max Steering Angle (Virtual) 28.40°

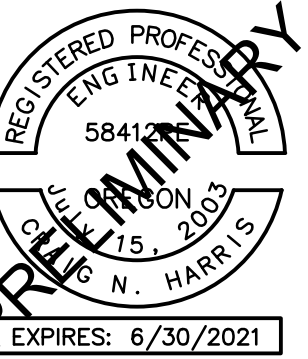
NORTH



GRAPHIC SCALE



(IN FEET)
 1 inch = 20 feet



AAI aaihan associates, inc.
ENGINEERING
 4875 SW Griffith Drive | Suite 300 | Beaverton, OR | 97005
 503.620.3030 tel | 503.620.5539 fax | www.aaieng.com

MYSLONY INDUSTRIAL PARK
 TUALATIN, OR

SHEET TITLE
 TURNING EXHIBIT
 SOUTH DRIVEWAY

DATE: 09/09/19
 DRAWN: NJD
 CHECKED: DSE

REVISIONS:

© AAI ENGINEERING INC.
 2019, ALL RIGHTS RESERVED

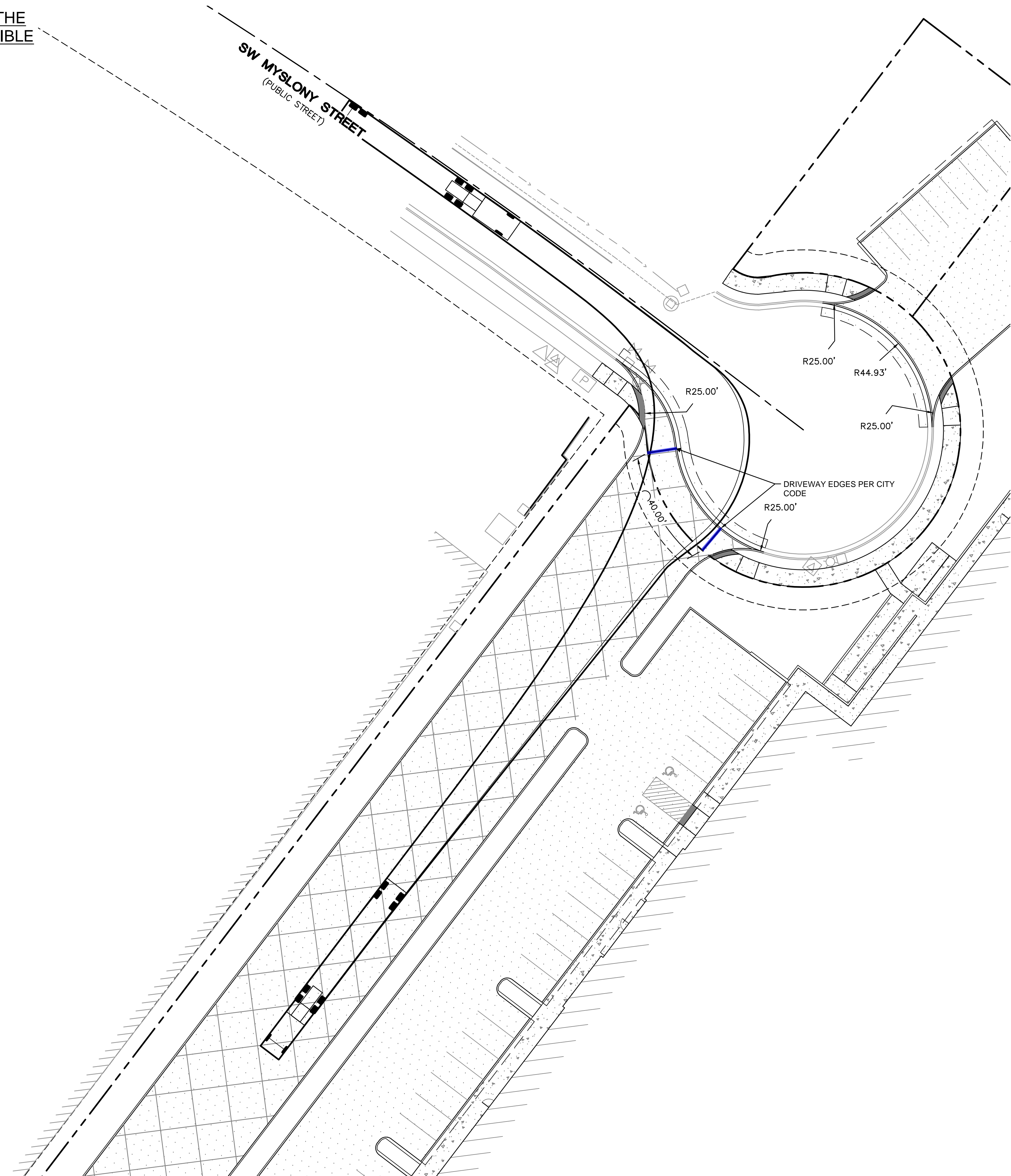
THESE DRAWINGS ARE THE
 PROPERTY OF AAI ENGINEERING INC.
 AND ARE NOT TO BE USED OR
 REPRODUCED IN ANY MANNER,
 EXCEPT WITH THE PRIOR WRITTEN
 PERMISSION OF AAI ENGINEERING INC.

SHEET NUMBER

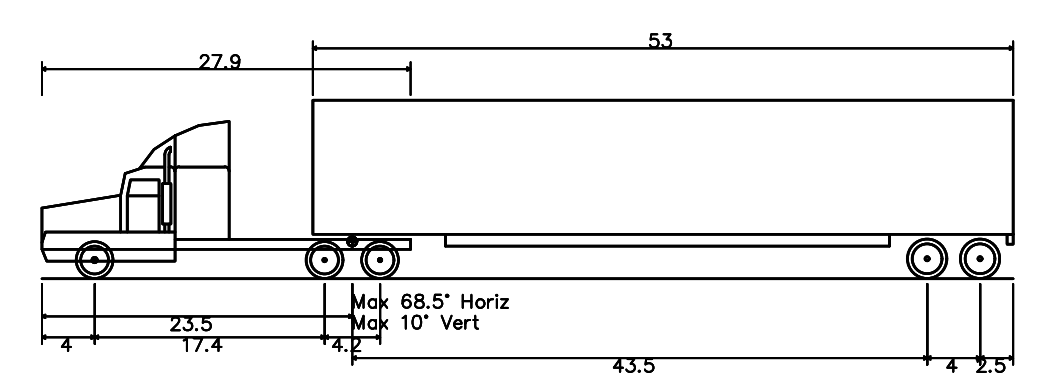
EX1.0

JOB NUMBER: A19173.10

EXHIBIT 2: TURNING MOVEMENT TO STAY WITHIN THE CITY CODE DRIVEWAY LAYOUT AS MUCH AS POSSIBLE



Design Vehicle

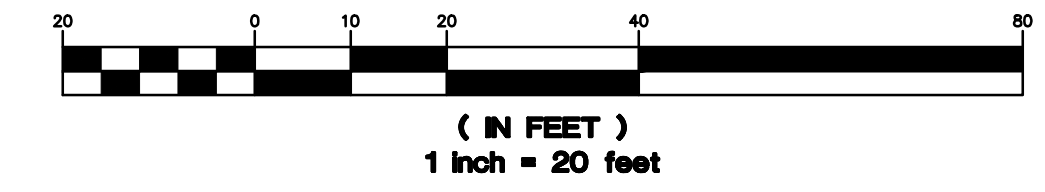


WB-67 - Interstate Semi-Trailer	73.50ft
Overall Length	8.50ft
Overall Width	13.50ft
Overall Body Height	8.33ft
Min. Body Ground Clearance	8.50ft
Max Track Width	6.00s
Lock-to-lock time	28.40°
Max Steering Angle (Virtual)	

NORTH



GRAPHIC SCALE



AAI alghan associates, inc.
ENGINEERING
 4875 SW Griffith Drive | Suite 300 | Beaverton, OR | 97005
 503.620.3030 tel | 503.620.5539 fax | www.aaleng.com

MYSLONY INDUSTRIAL PARK
 TUALATIN, OR

SHEET TITLE
 TURNING EXHIBIT
 SOUTH DRIVEWAY

DATE: 09/09/19
 DRAWN: NJD
 CHECKED: DSE

REVISIONS:

© AAI ENGINEERING INC.
 2019, ALL RIGHTS RESERVED

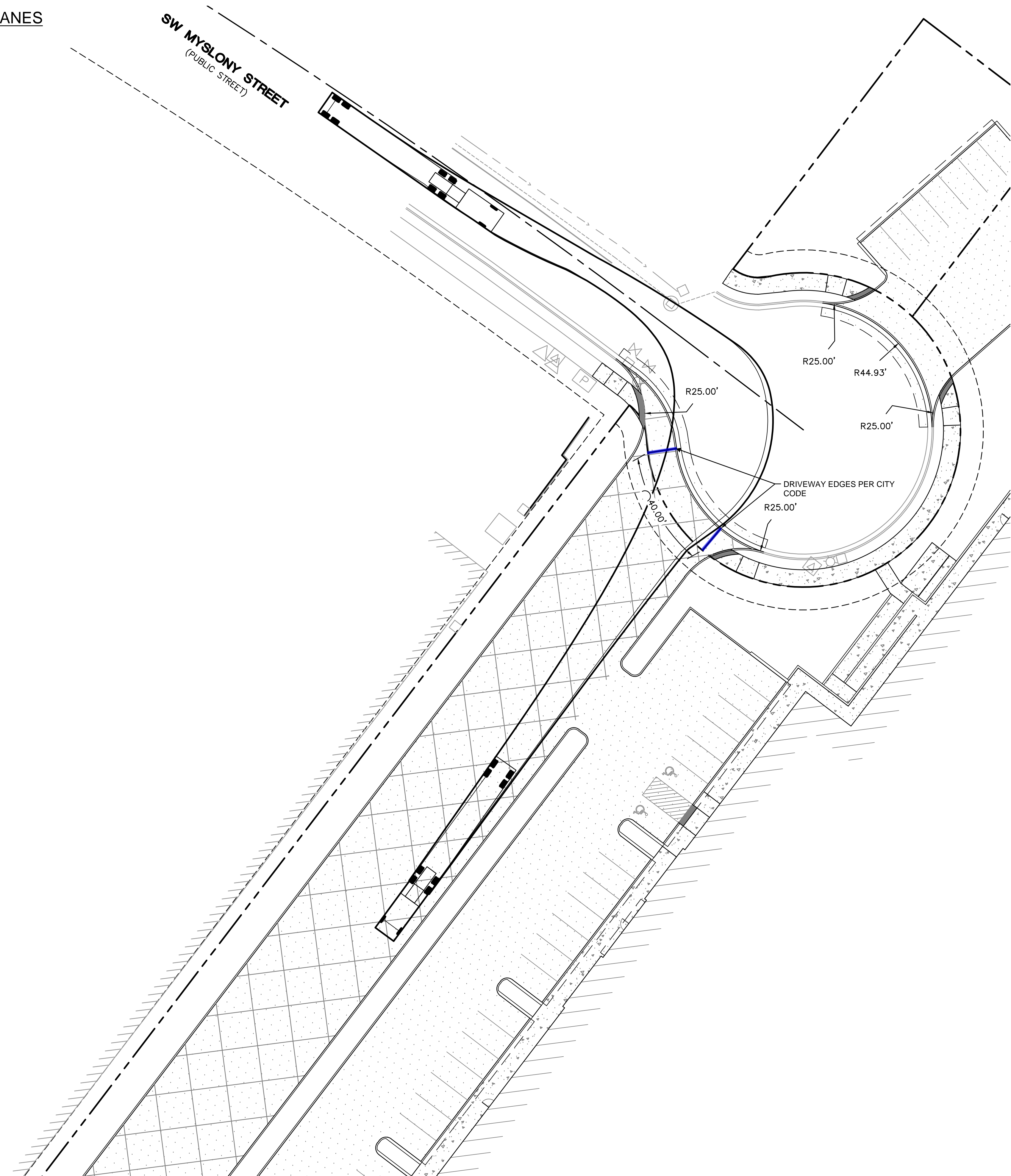
THESE DRAWINGS ARE THE PROPERTY OF AAI ENGINEERING INC. AND ARE NOT TO BE USED OR REPRODUCED IN ANY MANNER, EXCEPT WITH THE PRIOR WRITTEN PERMISSION OF AAI ENGINEERING INC.

SHEET NUMBER

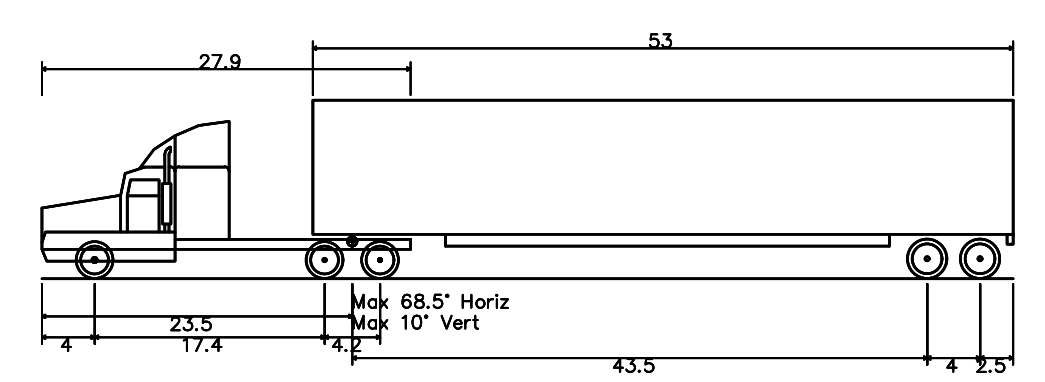
EX1.1

JOB NUMBER: A19173.10

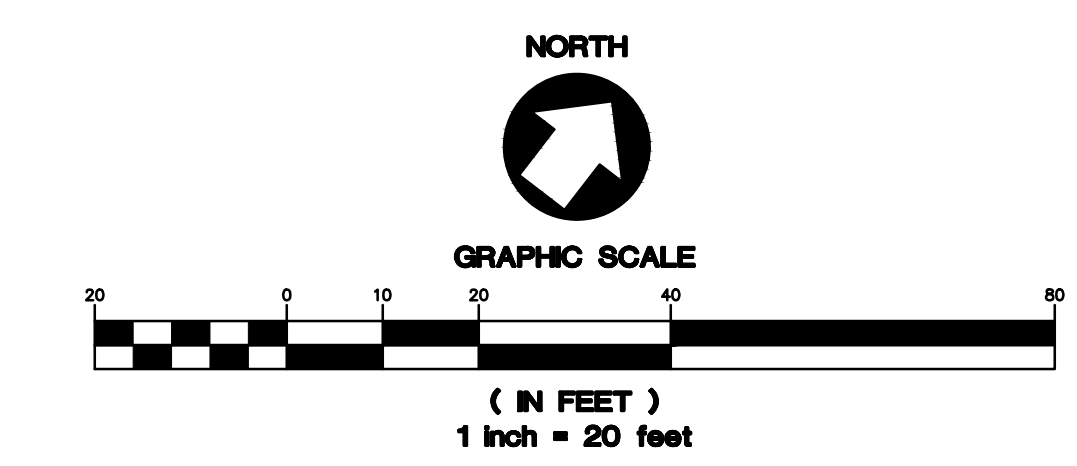
EXHIBIT 3: TURNING MOVEMENT UTILIZING BOTH LANES



Design Vehicle



WB-67 - Interstate Semi-Trailer	73.50ft
Overall Length	8.50ft
Overall Width	13.50ft
Overall Body Height	1.334ft
Min. Body Ground Clearance	8.50ft
Max Track Width	6.00s
Lock-to-lock time	28.40°
Max Steering Angle (Virtual)	



AAI aaihan associates, inc.
ENGINEERING
4875 SW Griffith Drive | Suite 300 | Beaverton, OR | 97005
503.620.3030 tel | 503.620.5539 fax | www.aaieng.com

MYSLONY INDUSTRIAL PARK
TUALATIN, OR

SHEET TITLE
TURNING EXHIBIT
SOUTH DRIVEWAY

DATE: 09/09/19
DRAWN: NJD
CHECKED: DSE

REVISIONS:

© AAI ENGINEERING INC.
2019, ALL RIGHTS RESERVED

THESE DRAWINGS ARE THE PROPERTY OF AAI ENGINEERING INC. AND ARE NOT TO BE USED OR REPRODUCED IN ANY MANNER, EXCEPT WITH THE PRIOR WRITTEN PERMISSION OF AAI ENGINEERING INC.

SHEET NUMBER

EX1.2

JOB NUMBER: A19173.10