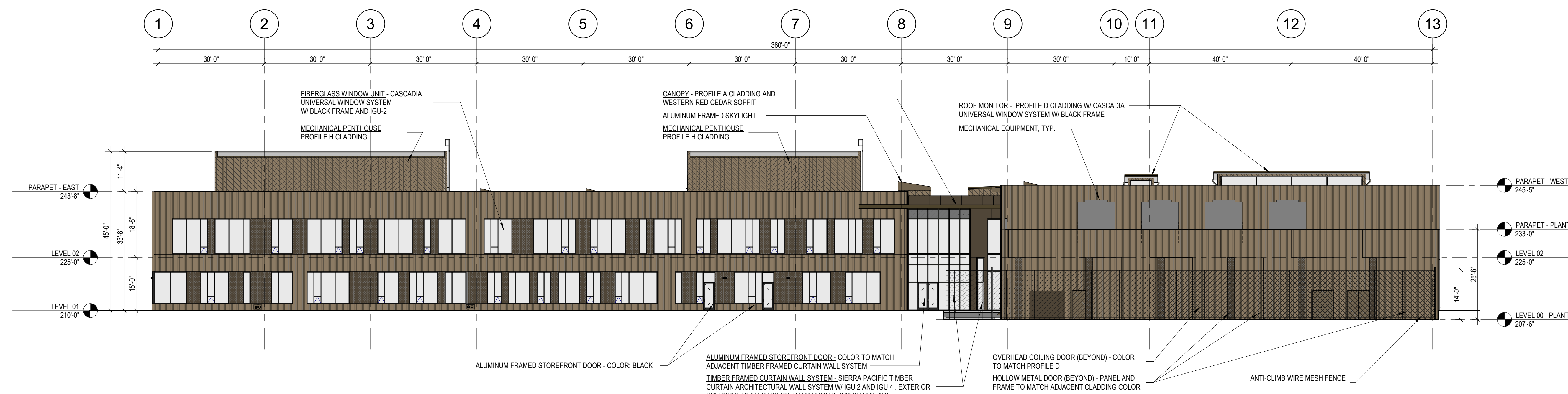
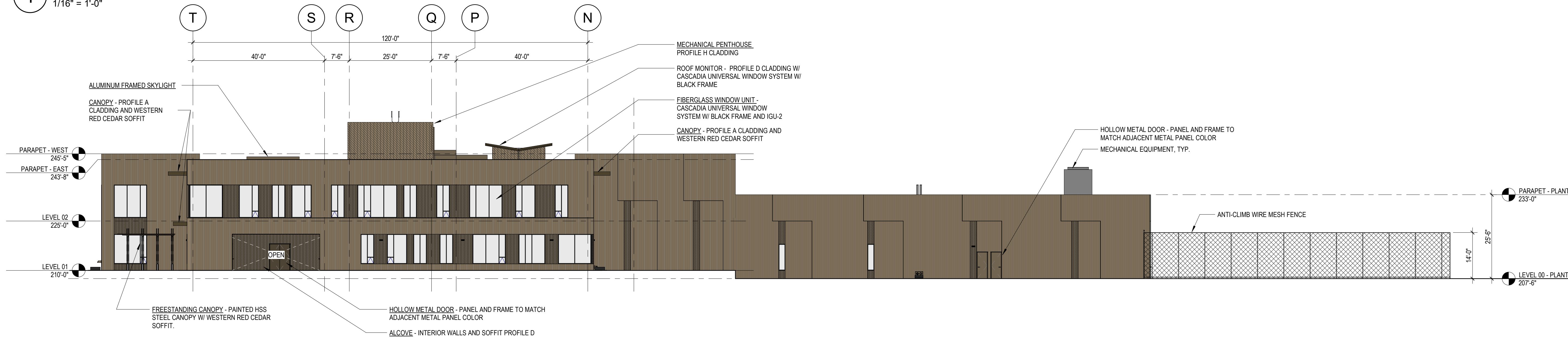


© 2019 Copyright protected. See Design Agreement. For use on this project only. Unauthorized reproduction of any part of this material is prohibited.

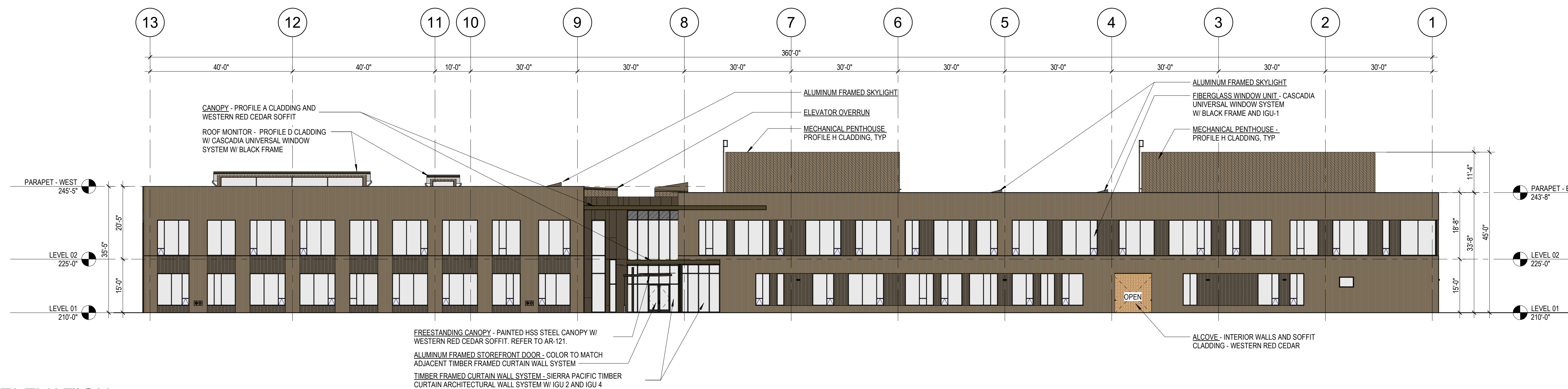
4/16/2019 4:57:39 PM  
SERA Architects, Inc.



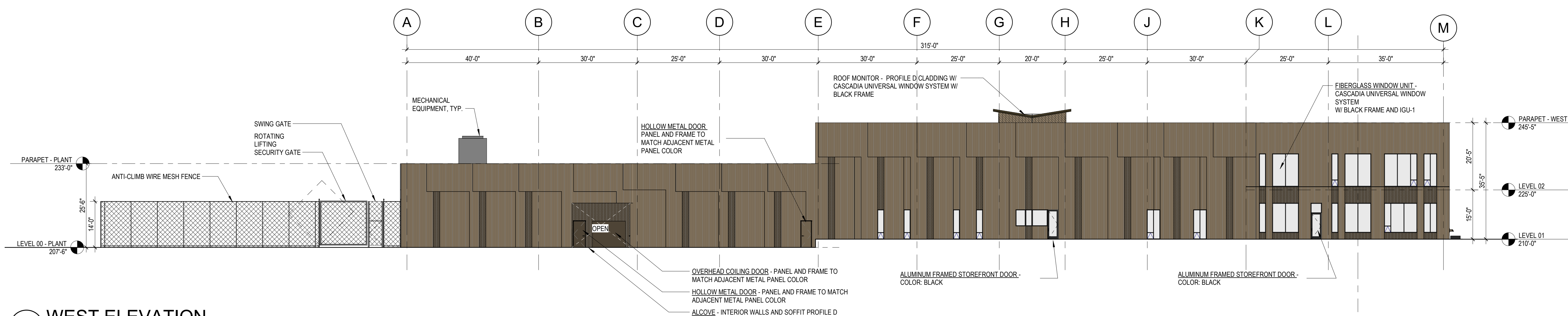
**1 NORTH ELEVATION**  
1/16" = 1'-0"



**2 EAST ELEVATION**  
1/16" = 1'-0"



**3 SOUTH ELEVATION**  
1/16" = 1'-0"



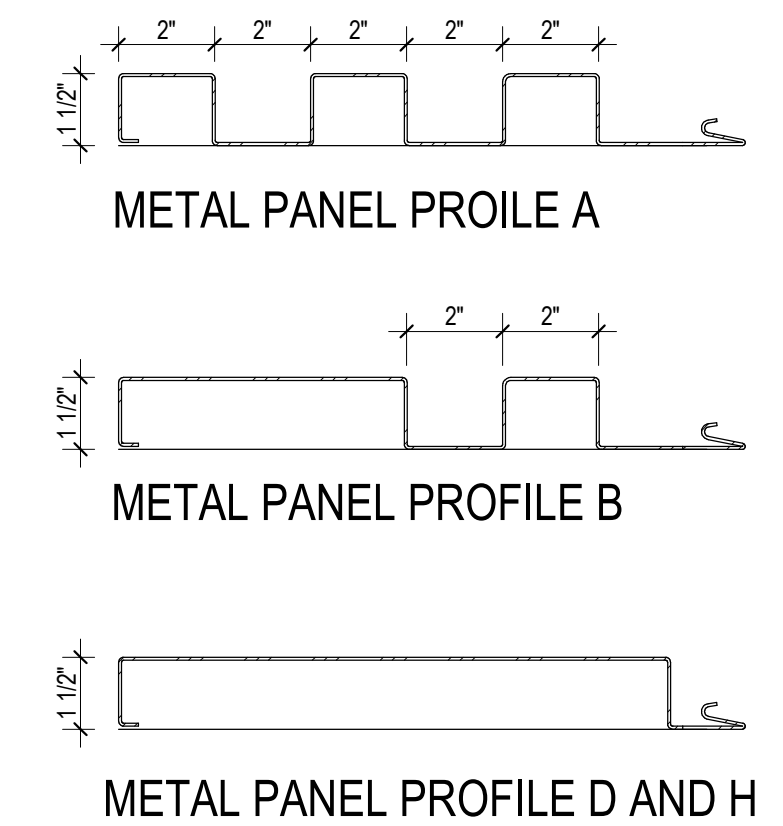
**4 WEST ELEVATION**  
1/16" = 1'-0"

**GENERAL NOTES - ELEVATION - EXTERIOR**

- A. SEE A004 AND A005 FOR ASSEMBLIES.
- B. GRIDS ARE FOR REFERENCE ONLY. CONTRACTOR TO SET CONTROL POINTS FOR LAYOUT.

**LEGEND - EXTERIOR ELEVATION MATERIALS**

- 08 80 00 EXTERIOR GLAZING -
  - IGU 1 / IGU 5 - MFG. SOLARBAN  
TYPE: SOLARBAN 70XL (SOUTH AND WEST FACADES)
  - IGU 2 - MFG. SOLARBAN 60  
TYPE: SOLARBAN 60 (NORTH AND EAST FACADES)
- 08 80 06 EXTERIOR GLAZING - SPANDREL
  - IGU 4 - SPANDREL GLAZING  
COLOR: BENJAMIN MOORE - NORTH CREEK BROWN
- 07 42 13 - METAL WALL PANEL
  - PROFILE A - MEG MORIN MATRIX 1.0  
COLOR: SPARTAN BRONZE
  - PROFILE B - MEG MORIN MATRIX 2.0  
COLOR: SPARTAN BRONZE
  - PATTERN - BLEND - 80% PROFILE A AND 20% PROFILE B
- ALUMINUM COMPOSITE PANEL
  - PROFILE C - MEG ALUCOBON  
COLOR: CUSTOM COLOR TO MATCH ARCHITECT'S SAMPLE
- 07 42 13 - METAL WALL PANEL
  - PROFILE D - MEG MORIN MATRIX 6.0  
COLOR: CUSTOM COLOR TO MATCH ARCHITECT'S SAMPLE
- 07 42 13 - METAL WALL PANEL
  - PROFILE H - MEG MORIN MATRIX 6.0  
COLOR: SPARTAN BRONZE
- 07 46 23 - WOOD SIDING
  - BOARD SIDING AND CANOPY SOFFIT -  
SHIPLAP, 1 X 6 WESTERN RED CEDAR, CLEAR FINISH
- 08 54 13 OPERABLE AWNING WINDOW VISION IGU 1&2



ARCHITECTURE  
URBAN DESIGN + PLANNING  
INTERIOR DESIGN

PORTLAND OREGON 97209  
P. 503.445.7372  
F. 503.445.7386  
SERADESIGN.COM

**Dreyfus+Blackford**  
architecture

SACRAMENTO CALIFORNIA 95816  
P. 916.453.1234  
DREYFUSSBLACKFORD.COM

**PRELIMINARY**  
NOT FOR CONSTRUCTION

**PORTLAND GENERAL ELECTRIC  
INTEGRATED OPERATIONS CENTER**

12150 SW TUALATIN-SHERWOOD ROAD  
TUALATIN, OR 97062

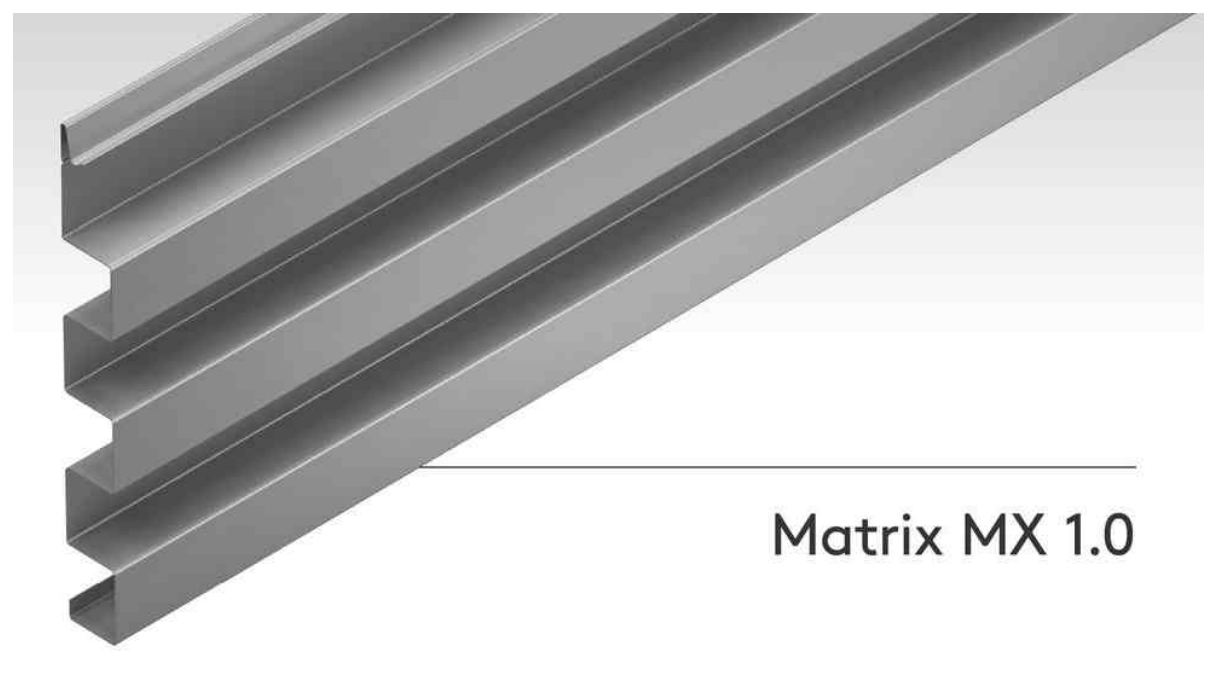
REVISIONS

CHECKED BY: 18 APRIL 2019  
ISSUE DATE: 1801003  
PROJECT NO:

OVERALL  
EXTERIOR  
ELEVATIONS

**AR-A303**

ARCHITECTURAL REVIEW SUBMITTAL

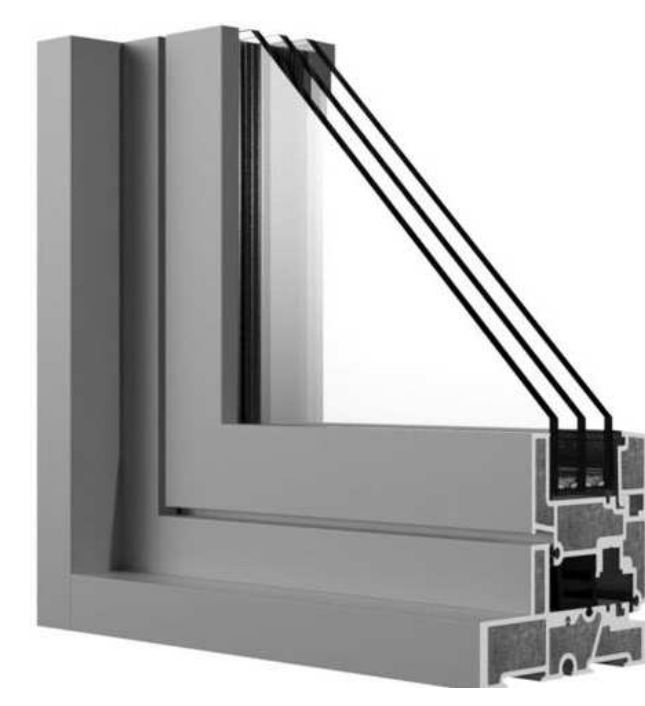


Matrix MX 1.0

Profile A - Morin Matrix 1.0



Color- Spartan Bronze



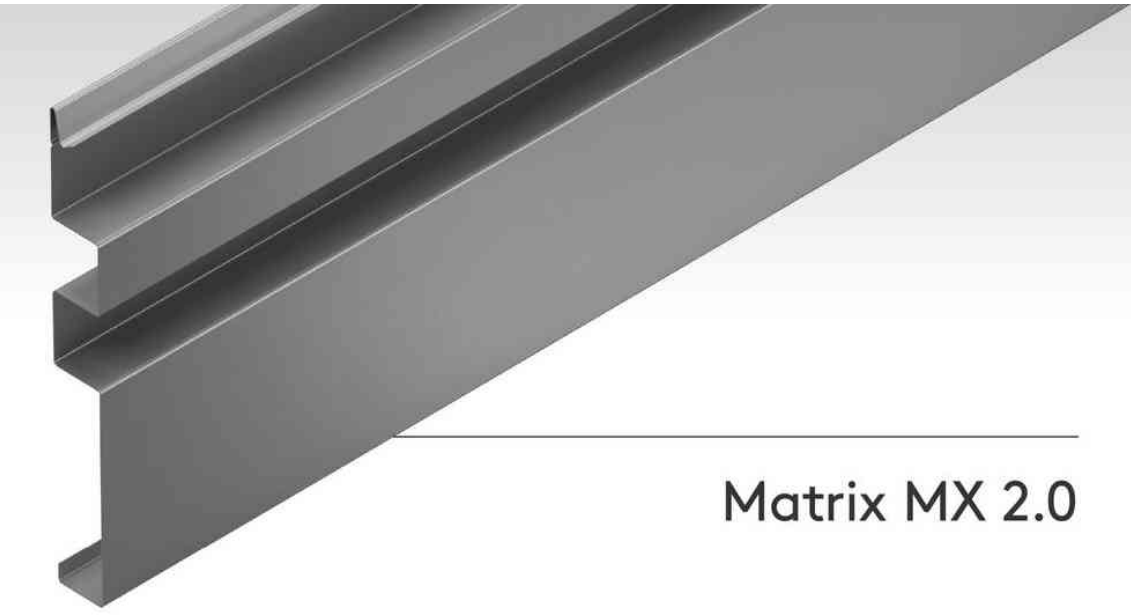
Fiberglass Windows -  
Cascadia Fiberglass Window  
System - Universal Series



Color- Black 201



Exposed Exterior Steel -  
Tnemec Paint - Medium  
Bronze 85BR

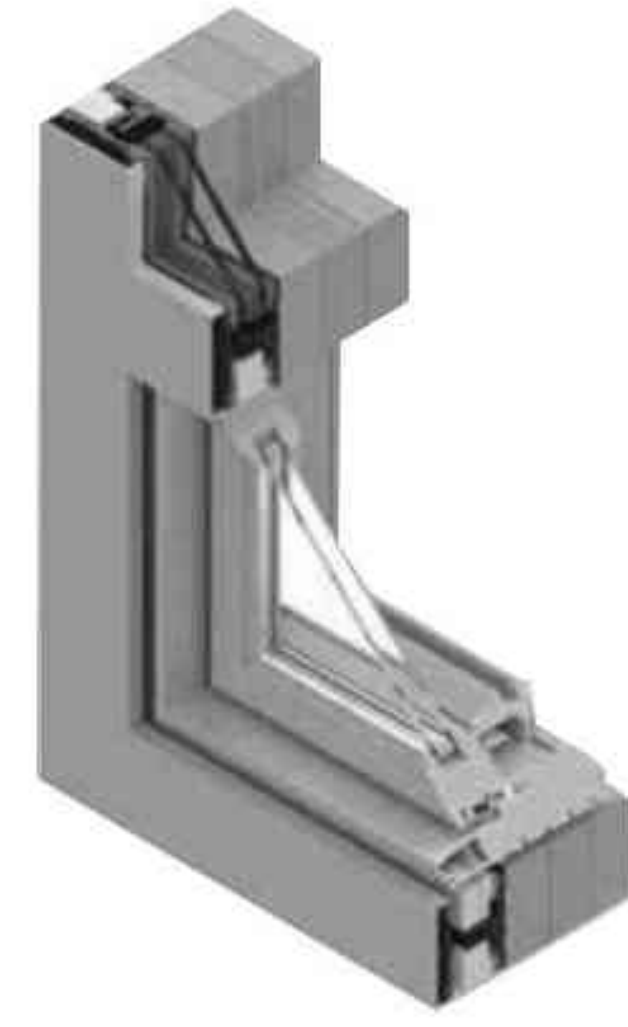


Matrix MX 2.0

Profile B - Morin Matrix 2.0



Color- Spartan Bronze



Timber Curtain Wall System-  
Sierra Pacific Timber Curtain  
Wall System



Color- Dark Bronze  
Industrial 102



IGU 4 - Spandrel Glazing  
Benjamin Moore - North  
Creek Brown 1001



Matrix MX 6.0

Profile D - Morin Matrix 2.0



Color- Custom color to  
match Architect's sample



Communications Tower  
RAL 7039- Quartz Grey



Matrix MX 6.0

Profile H - Morin Matrix 2.0



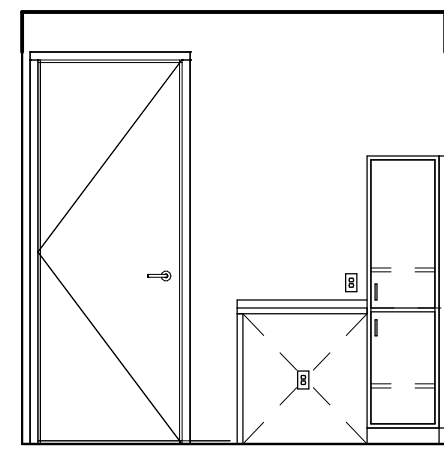
Color- Spartan Bronze



Board Siding - Shiplap 1"x6" Western Red Cedar

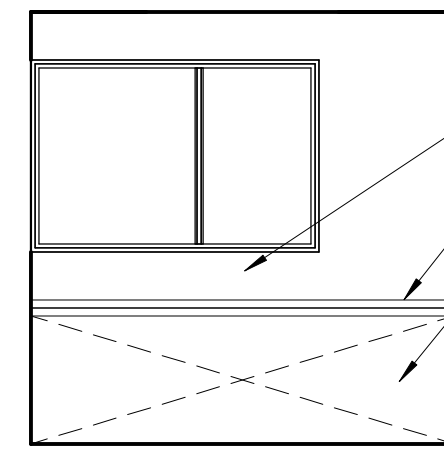


Soffit Panels- Shiplap 1"x6" Western Red Cedar



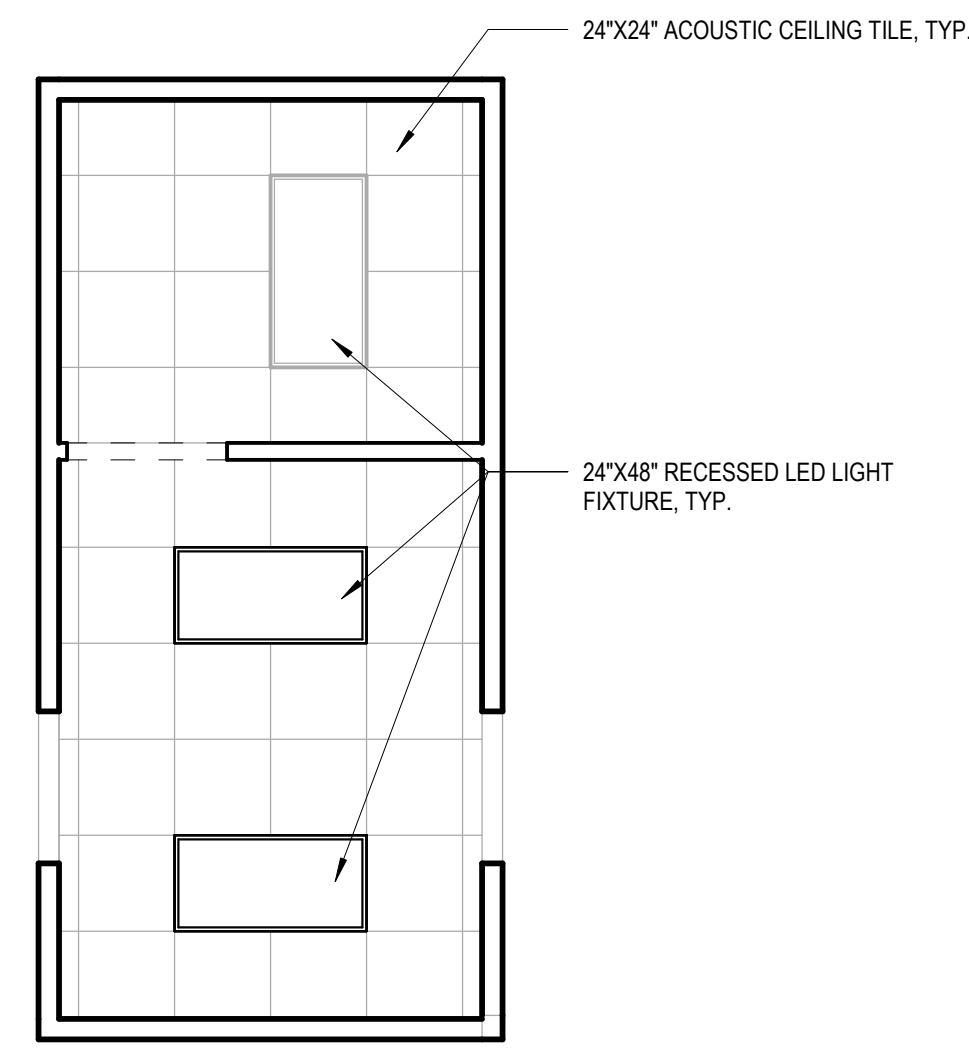
**SECURITY AREA: (TYP. AT ALL ELEVATIONS)**  
 FLOOR FINISH: RESILIENT  
 WALL FINISH: PAINTED GYP. BD.  
 BASE: RUBBER BASE

**RESTROOM: (TYP. AT ALL ELEVATIONS)**  
 FLOOR FINISH: RESILIENT  
 WALL FINISH: PAINTED GYP. BD. / FIBER REINFORCED PLASTIC  
 BASE: RUBBER BASE



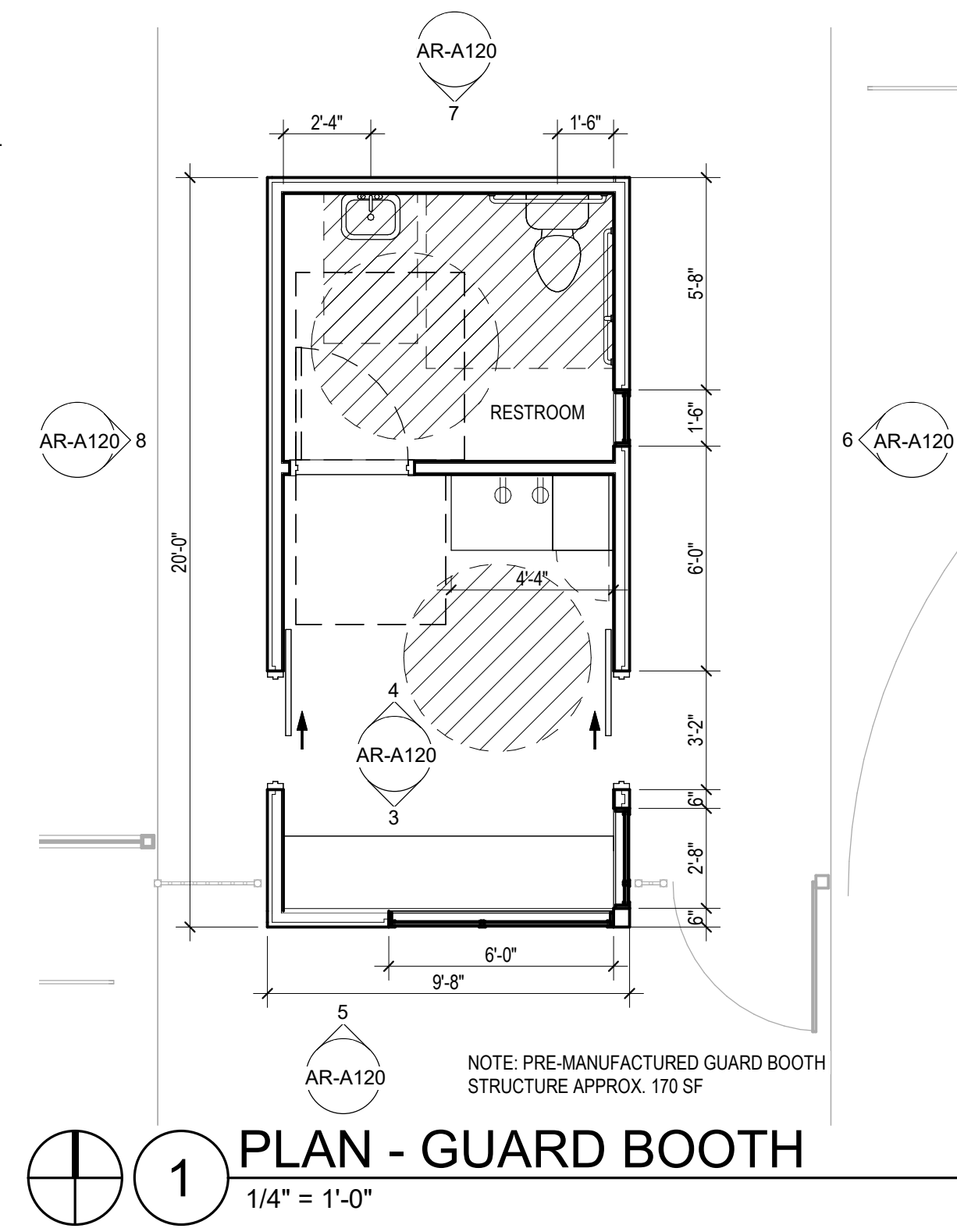
**SECURITY AREA: (TYP. AT ALL ELEVATIONS)**  
 FLOOR FINISH: RESILIENT  
 WALL FINISH: PAINTED GYP. BD.  
 BASE: RUBBER BASE

**RESTROOM: (TYP. AT ALL ELEVATIONS)**  
 FLOOR FINISH: RESILIENT  
 WALL FINISH: PAINTED GYP. BD. / FIBER REINFORCED PLASTIC  
 BASE: RUBBER BASE



24"X24" ACOUSTIC CEILING TILE, TYP.

24"X48" RECESSED LED LIGHT FIXTURE, TYP.



NOTE: PRE-MANUFACTURED GUARD BOOTH STRUCTURE APPROX. 170 SF

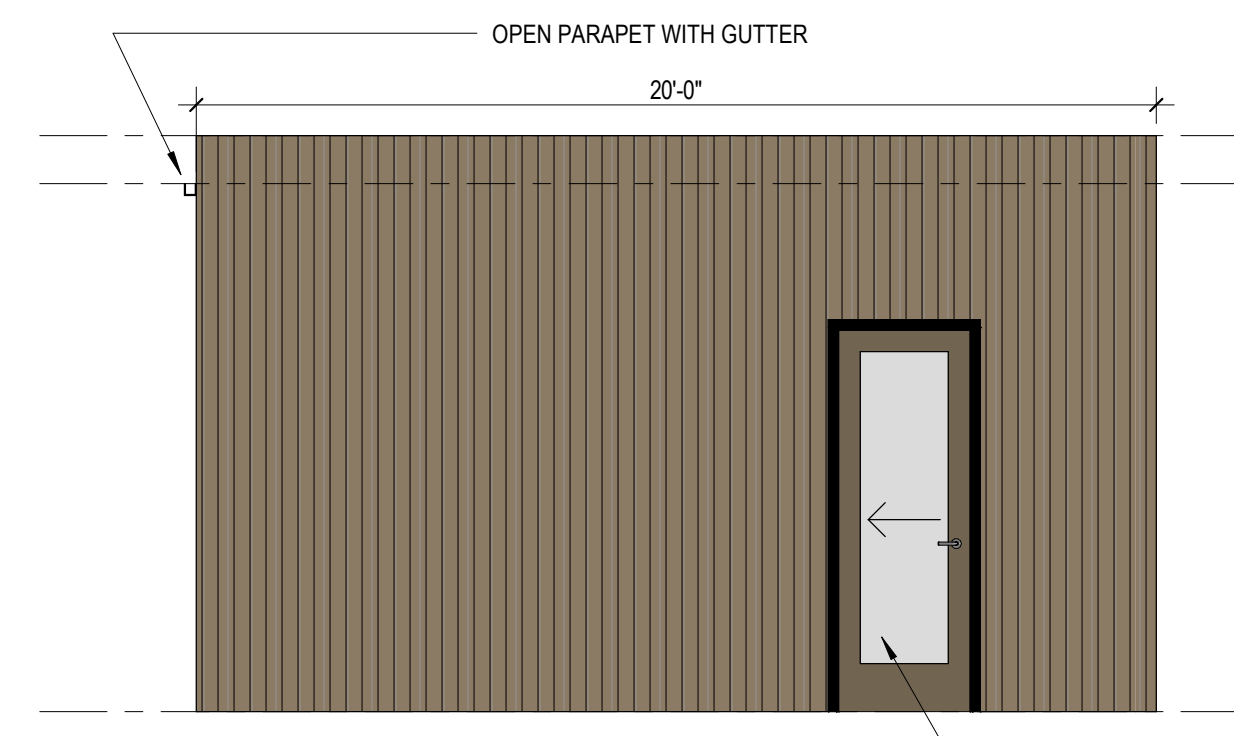
**GENERAL NOTES - ELEVATION - SITE STRUCTURES**

- A. SEE A004 AND A005 FOR ASSEMBLIES.
- B. GRIDS ARE FOR REFERENCE ONLY. CONTRACTOR TO SET CONTROL POINTS FOR LAYOUT.
- C. REFERENCE SPECIFICATION FOR MEP REQUIREMENTS AND MEP SYSTEMS FOR PRE-MANUFACTURED GUARD BOOTH.

**LEGEND - SITE STRUCTURES**

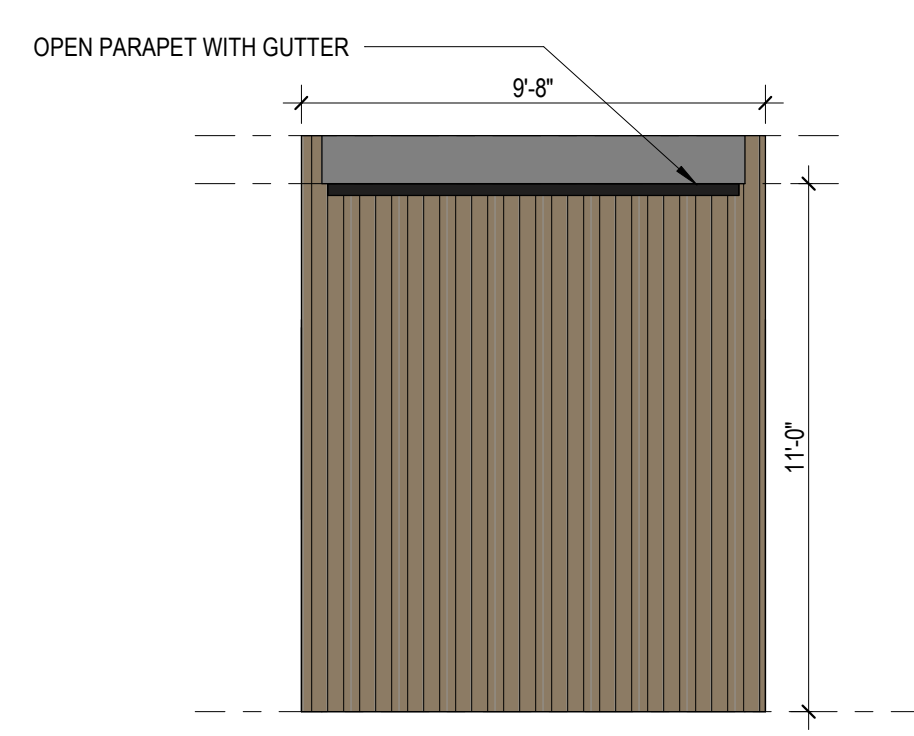
- BALLISTIC GLAZING
- PRE-MANUFACTURED GUARD BOOTH  
 MFG: BIG BOOTH  
 STYLE: GU26 FOOT FIRE LANEARD
  - 30' X 9'-10" PRE-FABRICATED GUARD BOOTH
  - LOCKING DOORS
  - BALLISTIC-RESISTANT
  - ADA TOILET AND SINK
  - INTERIOR AND EXTERIOR LIGHTING
  - HVAC - HEAT PUMP
  - LOW-VOLTAGE
- CONCRETE
  - BOARD FORM CONCRETE WITH ANTIGRAFFITI COATING
  - BASIS OF DESIGN: BLOK-GUARD AND AND GRAFFITI CONTROL II
- CEILING
  - 24"X24" ACT CEILING
- LIGHTING
  - RECESSED 24"X48" LED LIGHT FIXTURE
- OPERABLE AWNING WINDOW VISION

**4 INT ELEVATION - NORTH**  
 1/4" = 1'-0"



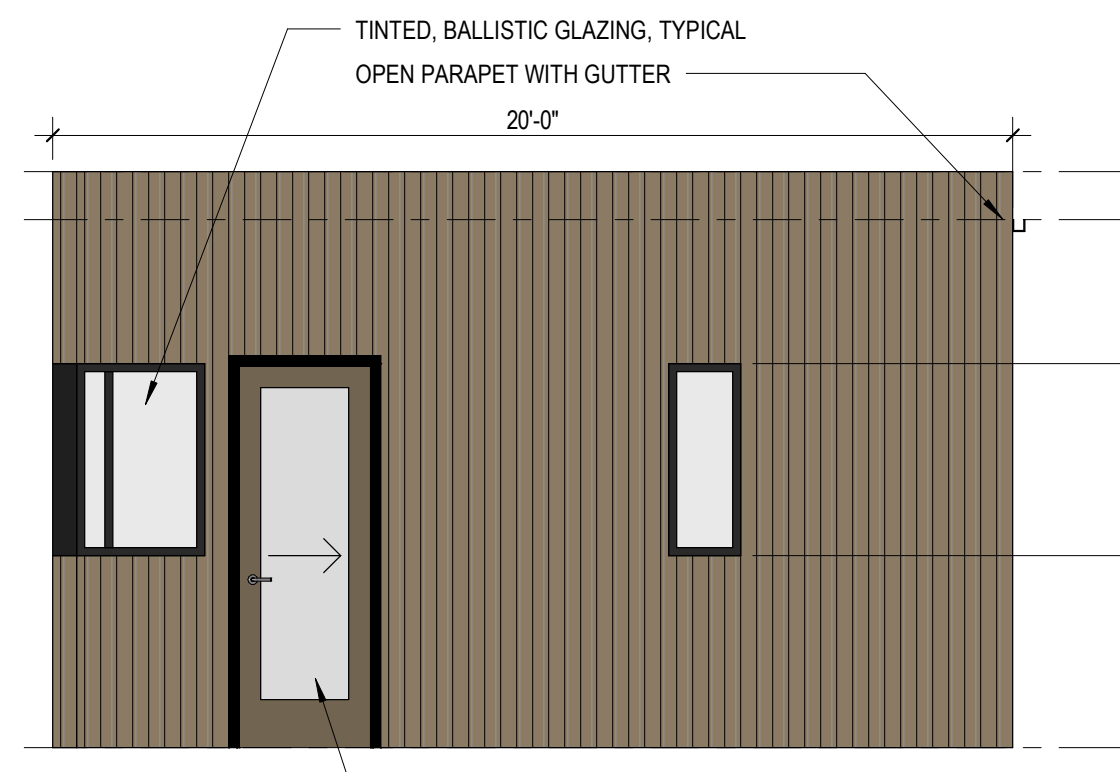
**8 ELEVATION - WEST**  
 1/4" = 1'-0"

**3 INT ELEVATION - SOUTH**  
 1/4" = 1'-0"

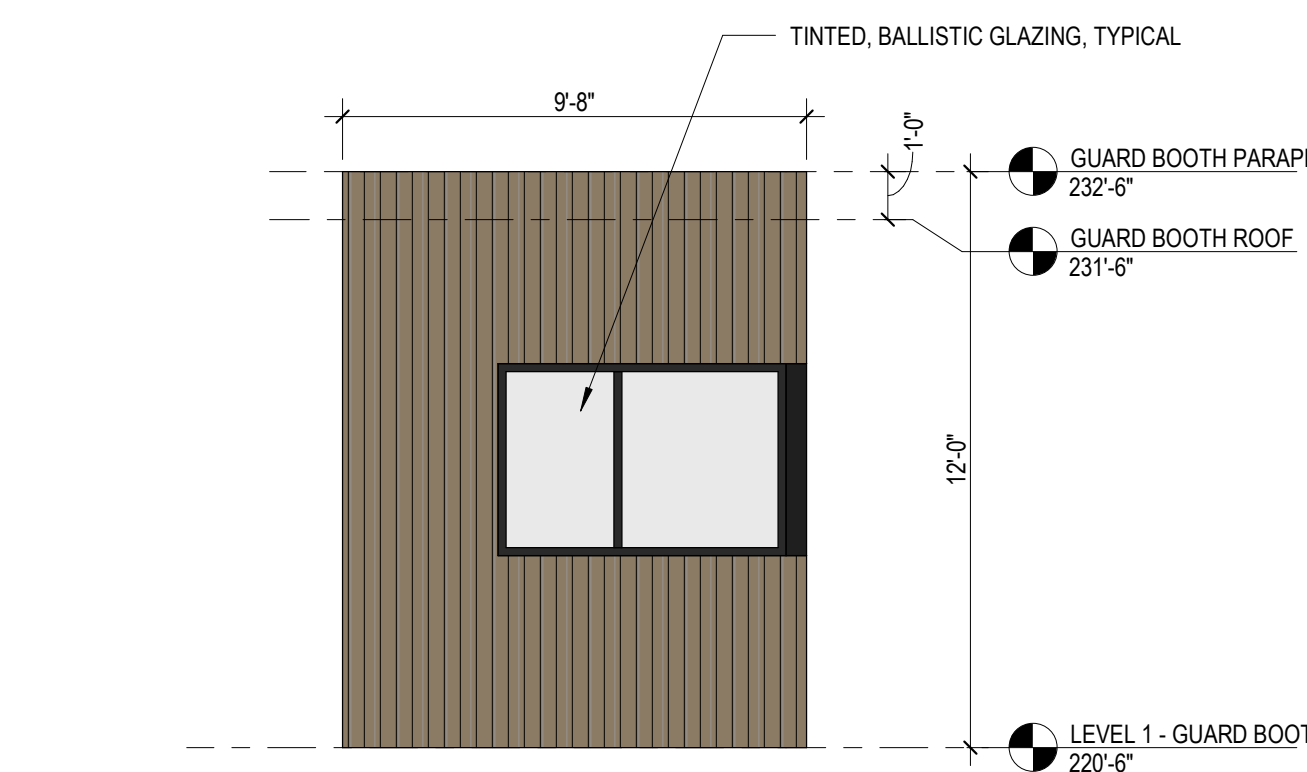


**7 ELEVATION - NORTH**  
 1/4" = 1'-0"

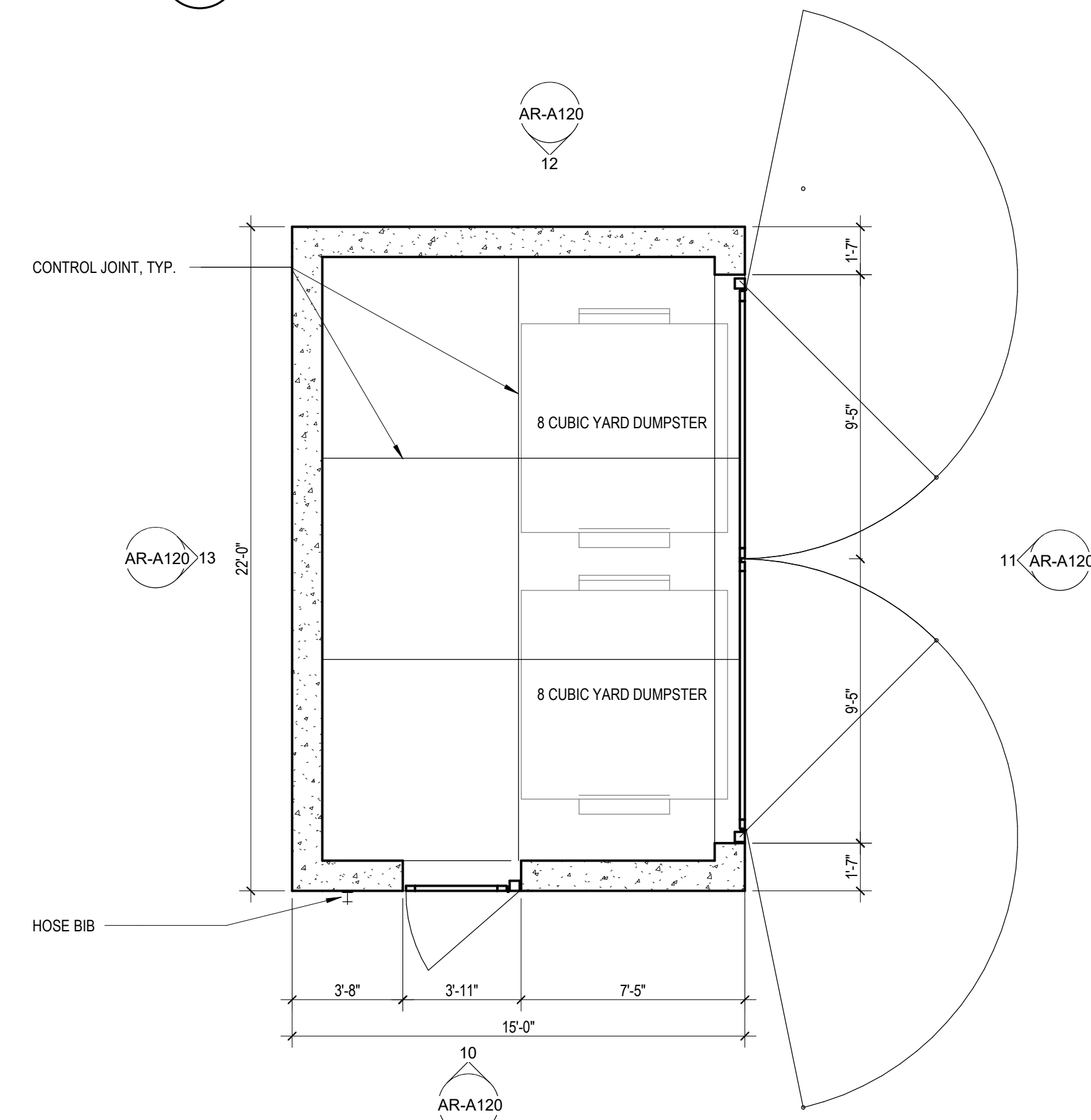
**2 RCP - GUARD BOOTH**  
 1/4" = 1'-0"



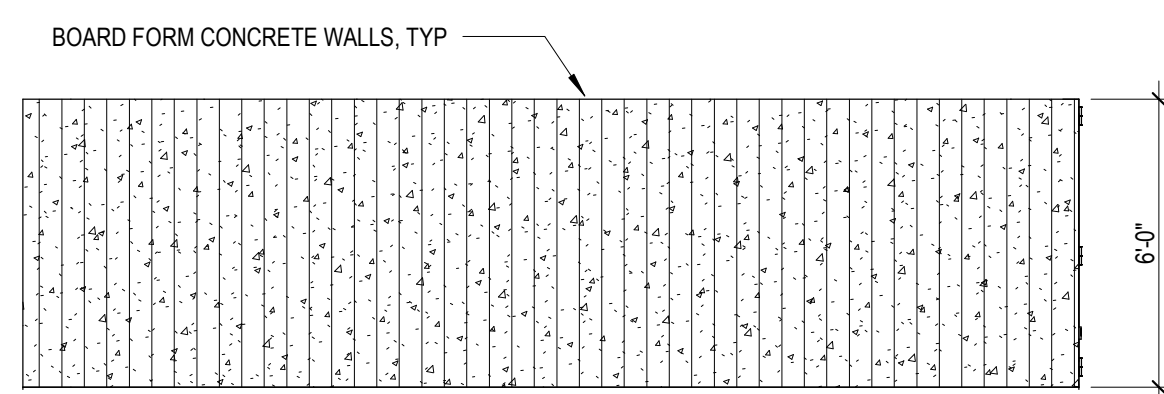
**6 ELEVATION - EAST**  
 1/4" = 1'-0"



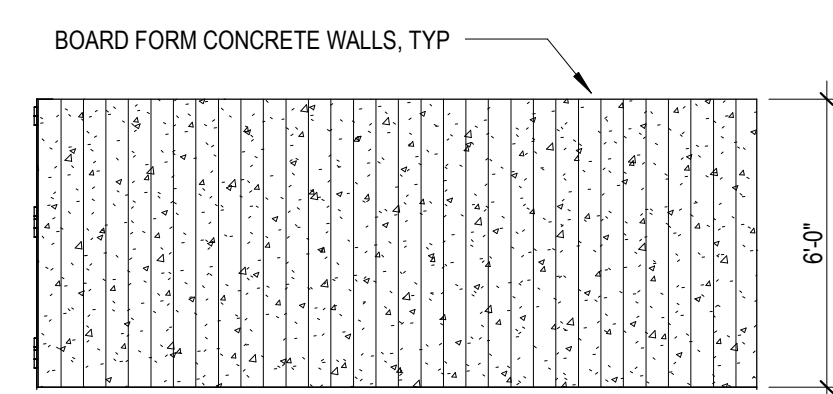
**5 ELEVATION - SOUTH**  
 1/4" = 1'-0"



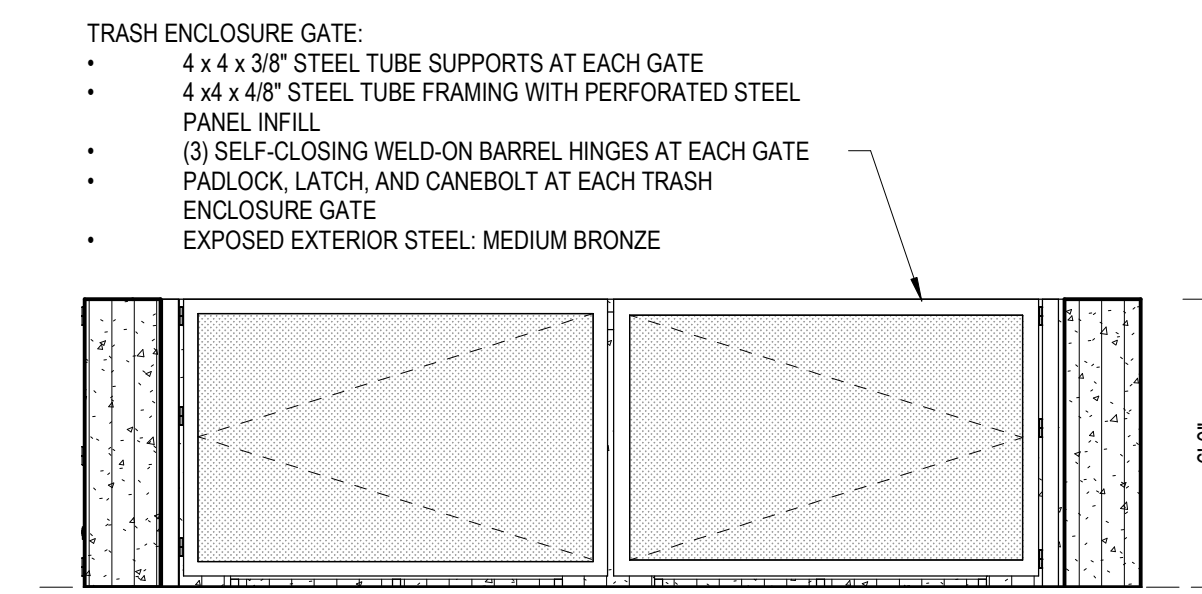
**9 PLAN - TRASH ENCLOSURE**  
 1/4" = 1'-0"



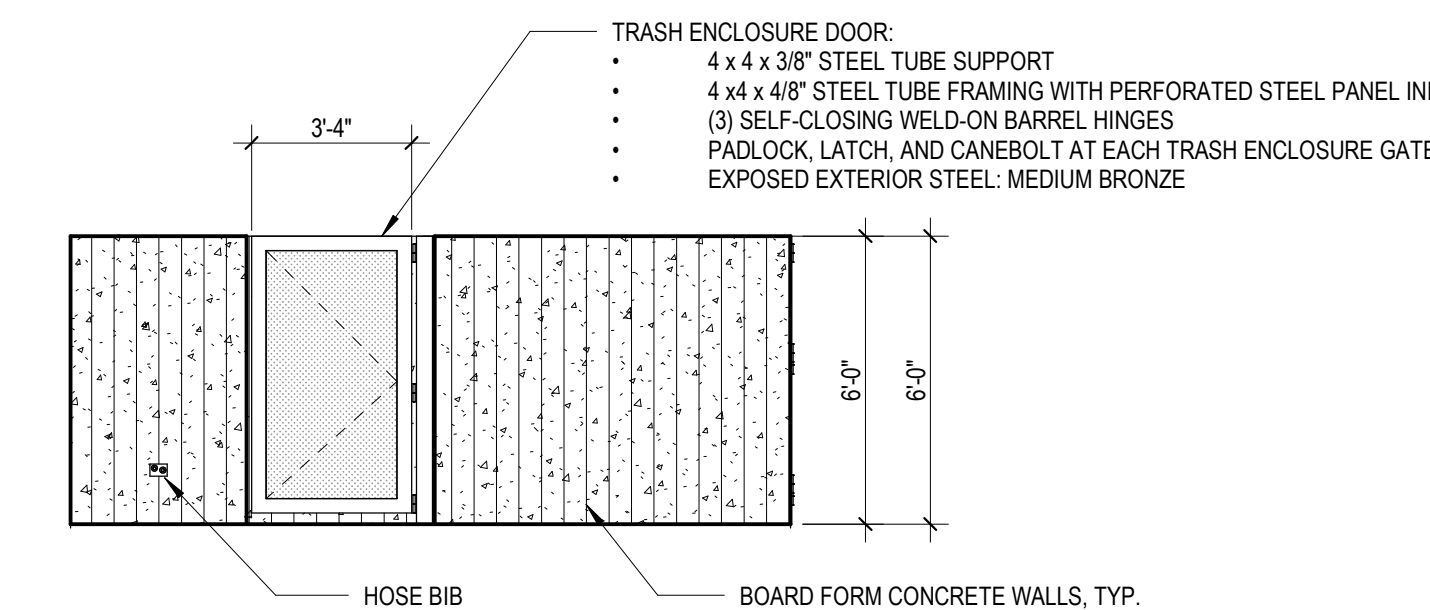
**13 ELEVATION - WEST**  
 1/4" = 1'-0"



**12 ELEVATION - NORTH**  
 1/4" = 1'-0"



**11 ELEVATION - EAST**  
 1/4" = 1'-0"



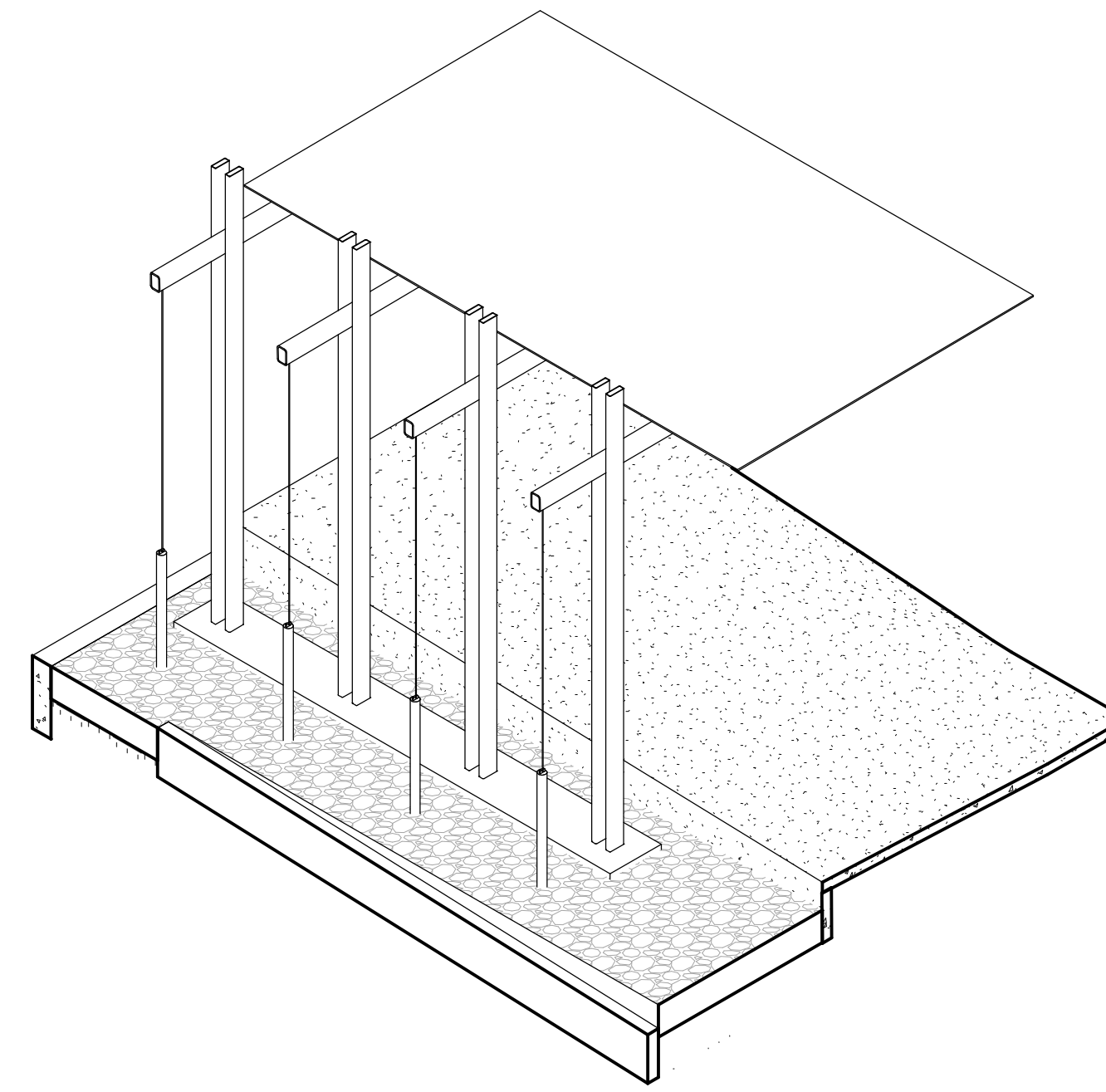
**10 ELEVATION - SOUTH**  
 1/4" = 1'-0"

**TRASH ENCLOSURE GATE:**

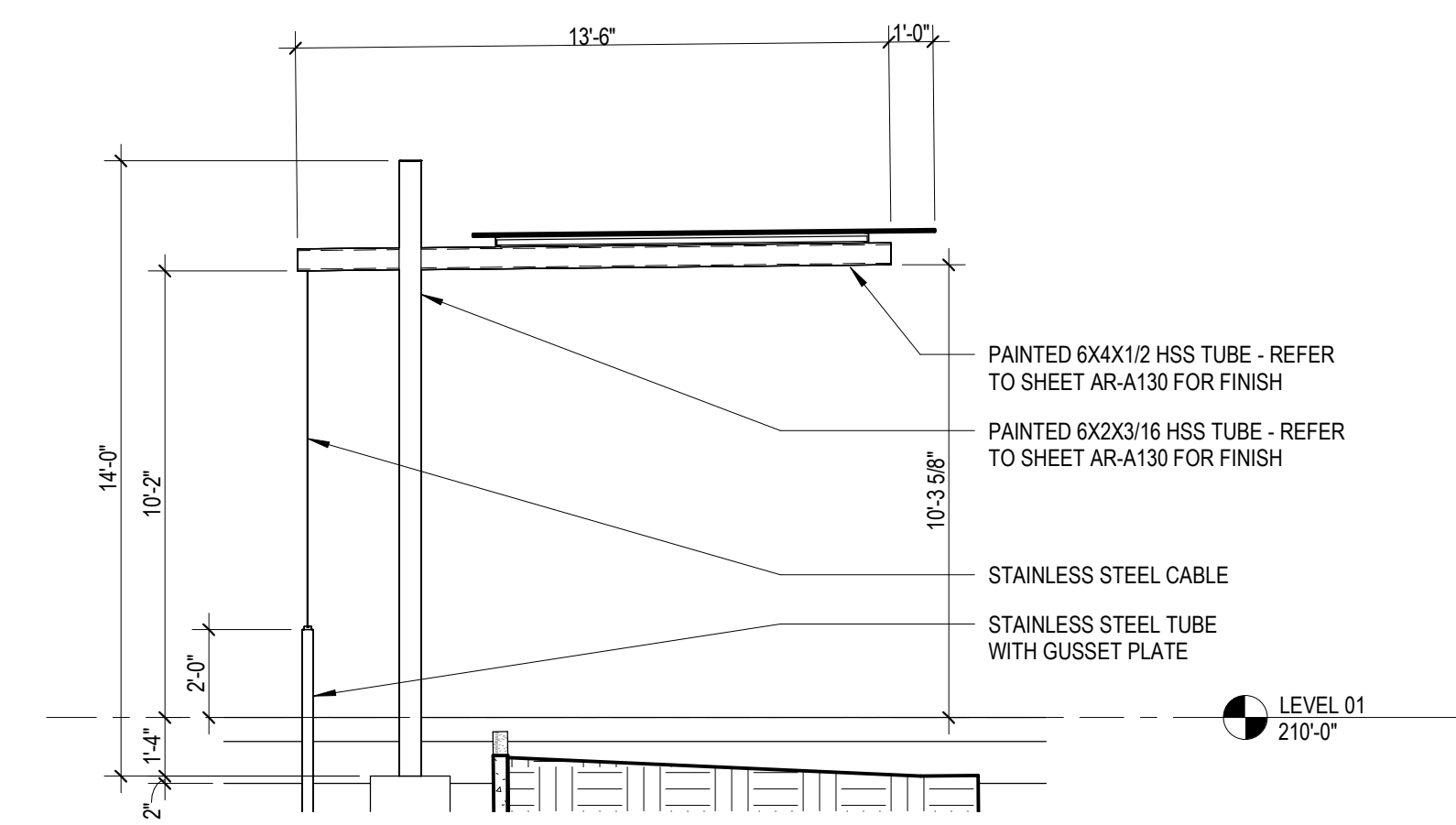
- 4 x 4 x 3/8" STEEL TUBE SUPPORTS AT EACH GATE
- 4 x 4 x 4/8" STEEL TUBE FRAMING WITH PERFORATED STEEL PANEL INFILL
- (3) SELF-CLOSING WELD-ON BARREL HINGES AT EACH GATE
- PADLOCK LATCH AND CANEBOLT AT EACH TRASH ENCLOSURE GATE
- EXPOSED EXTERIOR STEEL, MEDIUM BRONZE

**TRASH ENCLOSURE DOOR:**

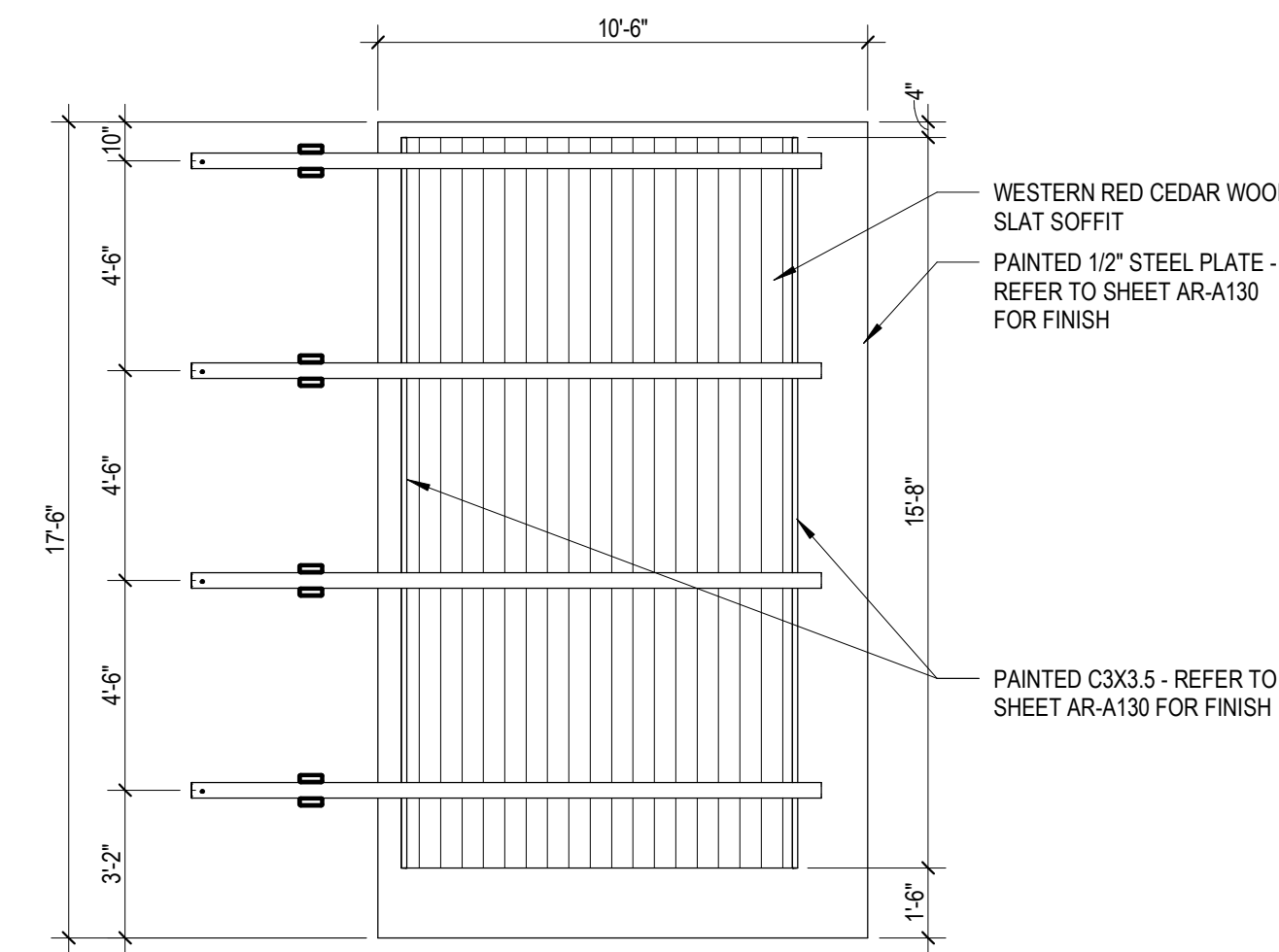
- 4 x 4 x 3/8" STEEL TUBE SUPPORT
- 4 x 4 x 4/8" STEEL TUBE FRAMING WITH PERFORATED STEEL PANEL INFILL
- (3) SELF-CLOSING WELD-ON BARREL HINGES
- PADLOCK LATCH AND CANEBOLT AT EACH TRASH ENCLOSURE GATE
- EXPOSED EXTERIOR STEEL, MEDIUM BRONZE



1 AXONOMETRIC - FREESTANDING CANOPY



2 ELEVATION - FREESTANDING CANOPY - SOUTH  
1/4" = 1'-0"



3 RCP - FREESTANDING CANOPY  
1/4" = 1'-0"

GENERAL NOTES - ELEVATION - SITE STRUCTURES

- A. SEE A004 AND A005 FOR ASSEMBLIES.
- B. GRIDS ARE FOR REFERENCE ONLY. CONTRACTOR TO SET CONTROL POINTS FOR LAYOUT.
- C. REFERENCE SPECIFICATION FOR MEP REQUIREMENTS AND MEP SYSTEMS FOR PRE-MANUFACTURED GUARD BOOTH.

LEGEND - SITE STRUCTURES

- BALLISTIC GLAZING
- PRE-MANUFACTURED GUARD BOOTH  
MFG: BIG BOOTH  
STYLE: GU26 FOOT FIRE LANEARD
  - 30' X 9'-10" PRE-FABRICATED GUARD BOOTH
  - LOCKING DOORS
  - BALLISTIC-RESISTANT
  - ADA TOILET AND SINK
  - INTERIOR AND EXTERIOR LIGHTING
  - HVAC - HEAT PUMP
  - LOW-VOLTAGE
- CONCRETE
  - BOARD FORM CONCRETE WITH ANTIGRAFFITI COATING
  - BASIS OF DESIGN: BLOK-GUARD AND AND GRAFFITI CONTROL II
- CEILING
  - 24"X24" ACT CEILING
- LIGHTING
  - RECESSED 24"X48" LED LIGHT FIXTURE
- OPERABLE AWNING WINDOW VISION



ARCHITECTURE  
URBAN DESIGN + PLANNING  
INTERIOR DESIGN

PORTLAND OREGON 97209  
P. 503.445.7372  
F. 503.445.7386  
SERADDESIGN.COM

**Dreyfus+**  
**Blackford**  
architecture

SACRAMENTO CALIFORNIA 95816  
P. 916.453.1234  
DREYFUSSBLACKFORD.COM

PRELIMINARY  
NOT FOR CONSTRUCTION

PORTLAND GENERAL ELECTRIC  
INTEGRATED OPERATIONS CENTER

12150 SW TUALATIN-SHERWOOD ROAD  
TUALATIN, OR 97062

REVISIONS

CHECKED BY: \_\_\_\_\_ Checker  
ISSUE DATE: 18 APRIL 2019  
PROJECT NO: 1801003

SITE  
STRUCTURES  
**AR-A121**

ARCHITECTURAL REVIEW SUBMITTAL